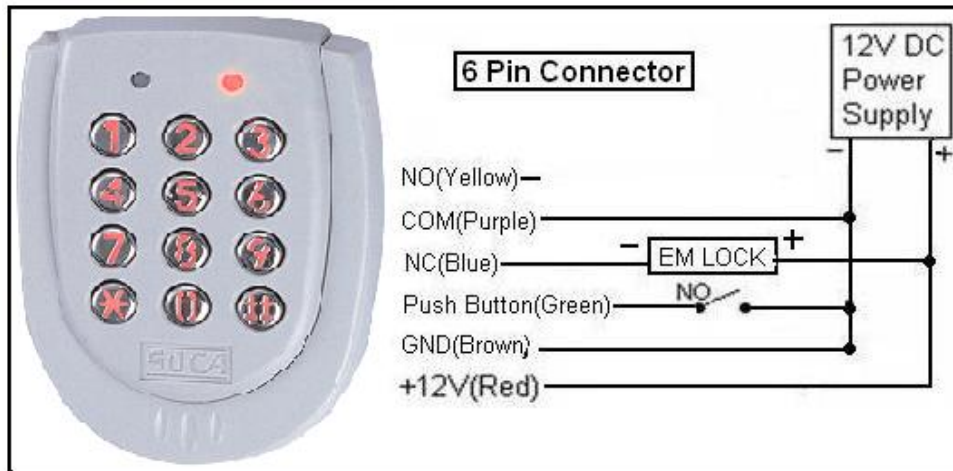


SOCA ST-120



Default Installer Code:4567

1) Add Card

Press"* # " → Installer Code → "#" (LED Red&Green Blink) → press"1" (1 Beep Sound)
→ Read All New Card → Press "*" For Exit.

2) Delete Card

Press"* # " → Installer Code → "#" (LED Red&Green Blink) → Press"2" (1 Beep Sound)
→ Read Card To Be Delete OR Press 6 Digit Number → Press "*" For Exit.

Example: Card "0000123456"

4) Set Pin Code

Press"* # " → Installer Code → "#" (LED Red&Green Blink) → Press"3" (1 Beep Sound)
→ Press"1" → Press 4 Digit Number (1 Beep Sound).

Open Door

Press: * → PIN

Option:

5) Set Lock Release Time (default 5sec)

Press"* # " → Installer Code → "#" (LED Red&Green Blink) → press"4" (1 Beep Sound)
→ Key in XX (01-99 Seconds)

6) Operation Mode

Press"* # " → Installer Code → "#" (LED Red&Green Blink) → Press"5" (1 Beep Sound)

- 1 → (Pin Code only)
- 2 → (Card only)
- 3 → (Card And Pin)
- 4 → (Card OR Pin)

7) Deletion All Pin Code

Press"* # " → Installer Code → "#" (LED Red&Green Blink) → Press"93" (1 Beep Sound)

8) Deletion All Card

Press"* # " → Installer Code → "#" (LED Red&Green Blink) → Press"99" (1 Beep Sound).